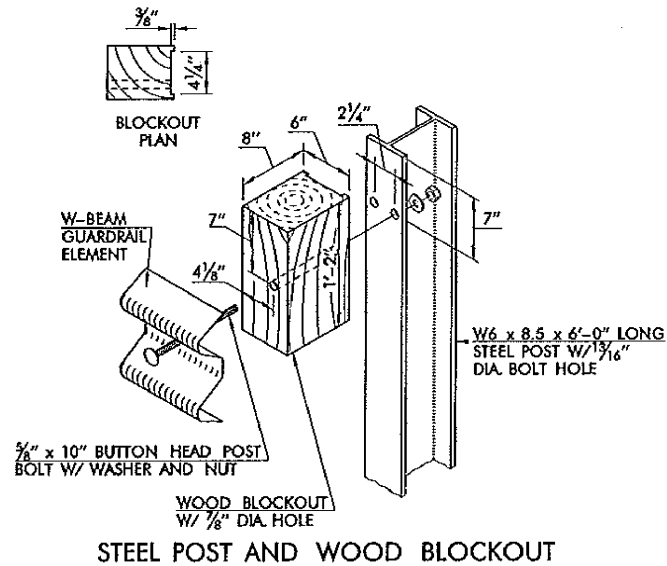
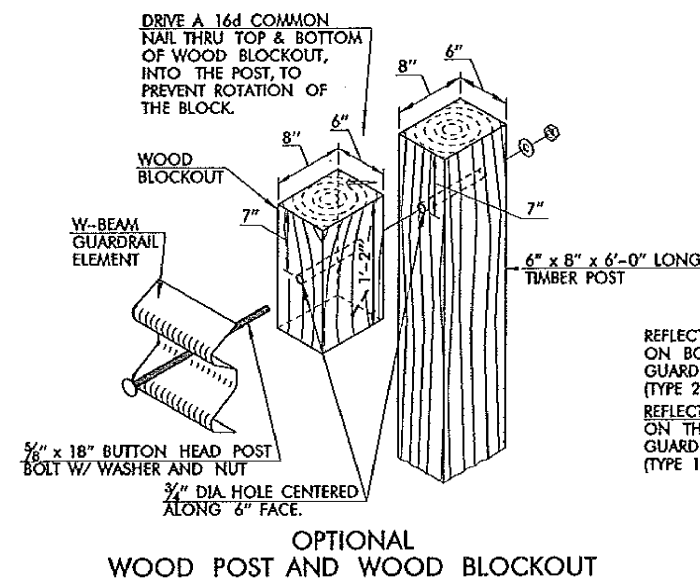


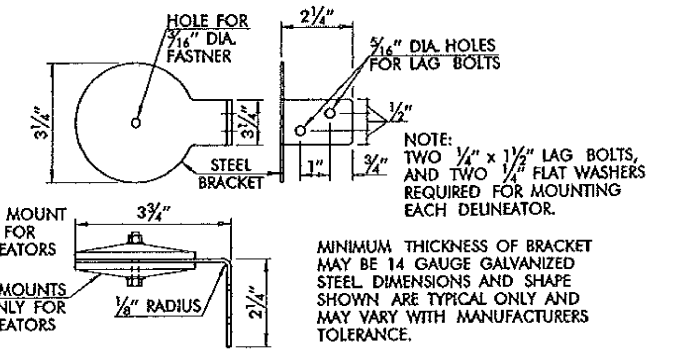
GROUND ANCHOR FOOTING DETAIL



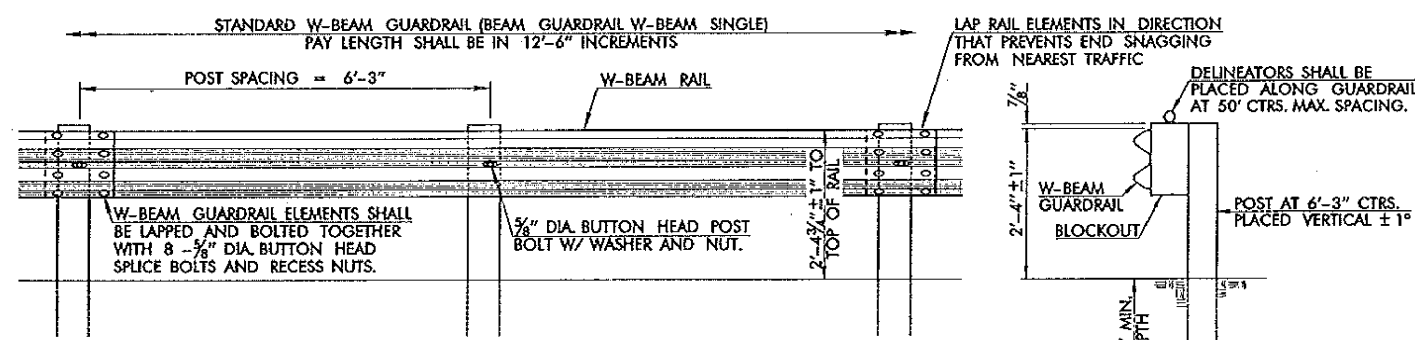
STEEL POST AND WOOD BLOCKOUT



OPTIONAL WOOD POST AND WOOD BLOCKOUT

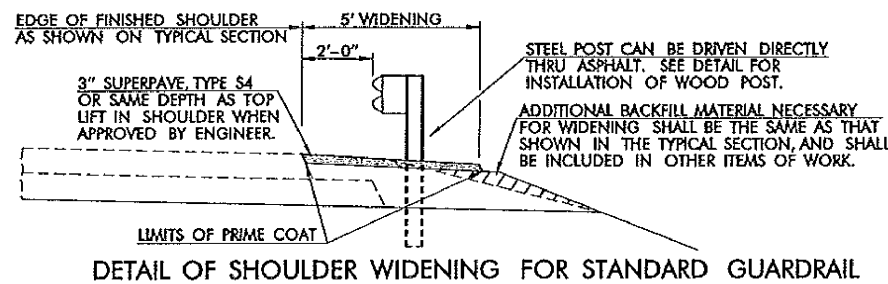


TYPICAL BRACKET FOR MOUNTING 3 1/4" ROUND DELINEATOR TO GUARD RAIL BLOCKOUT

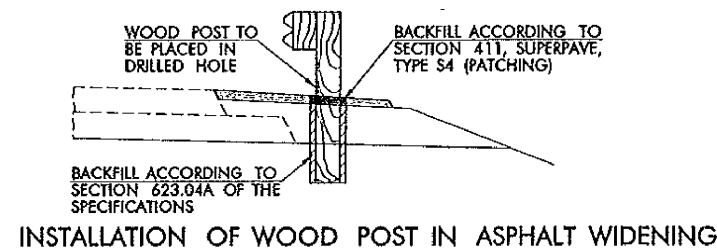


STANDARD W-BEAM GUARDRAIL ELEVATION

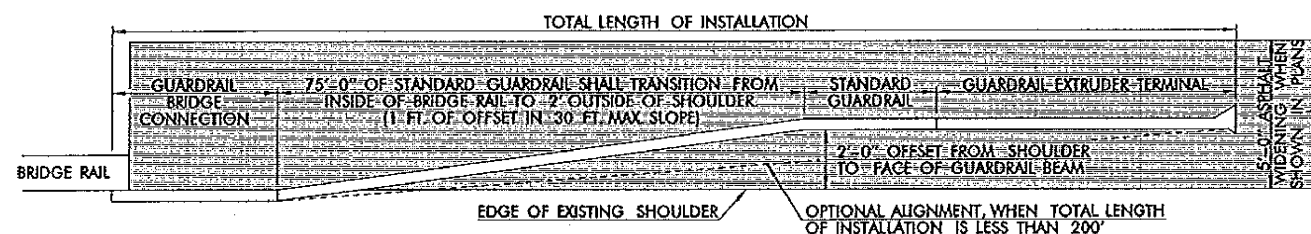
STANDARD W-BEAM GUARDRAIL SECTION



DETAIL OF SHOULDER WIDENING FOR STANDARD GUARDRAIL



INSTALLATION OF WOOD POST IN ASPHALT WIDENING



TYPICAL GUARDRAIL INSTALLATION AT BRIDGE

OPTIONAL TYPE POSTS OR BLOCKOUTS FOR STANDARD GUARDRAIL

THE CONTRACTOR MAY, AT HIS OPTION, SELECT AND USE ONE OF THE TYPE POSTS AND BLOCKOUTS SHOWN ABOVE, OR AN APPROVED ALTERNATE. THIS POST & BLOCKOUT CHOICE MUST BE USED ON THE ENTIRE PROJECT. ALTERNATE POST (INCLUDING SPECIAL SHAPES) MAY BE USED UPON THE APPROVAL OF THE ENGINEER. ALTERNATE BLOCKOUTS (SUCH AS RECYCLED MATERIAL, RUBBER, PLASTIC AND COMPOSITE PRODUCTS) MAY BE USED IF PRODUCT HAS BEEN EVALUATED AND APPROVED BY ODOT.

GENERAL NOTES

1. ALL CONSTRUCTION AND MATERIAL REQUIREMENTS SHALL BE IN ACCORDANCE WITH THE 2009 ODOT STANDARD SPECIFICATIONS.
2. STANDARD GUARDRAIL WITH 6'-3" POST SPACING MEETS NHCPR-350, TEST LEVEL 3. IF A RIGID HAZARD IS TO BE LEFT BEHIND THE GUARDRAIL, WITHIN 3'-0" OF THE RAIL, CONSIDER USING A DIFFERENT TREATMENT.
3. WOOD POSTS AND BLOCKOUTS SHALL BE STRESS GRADE 1200F.
4. ALL STANDARD GUARDRAIL AND GUARDRAIL EXTRUDER TERMINALS SHALL BE OFFSET SO THAT RAIL FACE IS TWO FEET OUTSIDE THE SHOULDER. FOR TRANSITION FROM BRIDGE RAIL TO TWO FOOT OFFSET, BEGINNING AT THE GUARDRAIL BRIDGE CONNECTION, TRANSITION THE STANDARD GUARDRAIL, AT A 30:1 TAPER, UNTIL THE RAIL REACHES THE OFFSET DISTANCE.
5. ALL GUARDRAIL, METAL POSTS, PLATES AND HARDWARE SHALL BE GALVANIZED AFTER FABRICATION.
6. ANY FIELD CUTS OR HOLES DRILLED IN GALVANIZED MATERIALS SHALL BE COATED WITH A ZINC OXIDE PAINT. SEE SECTION 730 OF THE SPECIFICATIONS.
7. GUARDRAIL DELINEATORS (TYPE 2, CODE 1) WILL BE REQUIRED FOR ALL TWO-LANE ROADWAYS. ALL OTHER ROADWAYS WILL REQUIRE GUARDRAIL DELINEATORS (TYPE 1, CODE 1).

BASIS OF PAYMENT		
ITEM NO.	ITEM	UNIT
623 (A)	BEAM GUARDRAIL W-BEAM SINGLE	L.F.
853	GUARDRAIL DELINEATORS (TYPE 1, CODE 1)	EA.
853	GUARDRAIL DELINEATORS (TYPE 2, CODE 1)	EA.

NOTE: PAYITEM GUARDRAIL ANCHOR UNIT TYPE B INCLUDES ALL LABOR AND MATERIALS TO INSTALL 25'-0" TWISTED RAIL ELEMENT, W-BEAM END SHOE, CONC. FOOTING, AND FOUR ANCHOR BOLTS.